

**lynx**control

KEEP THIS MANUAL FOR FUTURE NEEDS



Thank you for choosing our equipment. We are confident that our excellent products and service can satisfy you.

For your own safety, please read this user manual carefully before using this device.

## **INTRODUCTION:**

Thank you for choosing this professional tool.

Unpacking the device. You should find in the box:

- One USB cable
- One charger
- One MICRO SD card
- One MICRO SD card reader
- One manual

Please check carefully that there is no damage caused by transportation. Should there be any, please contact your dealer and don't use this device.



### **CAUTION!**

Keep this device away from rain and moisture !



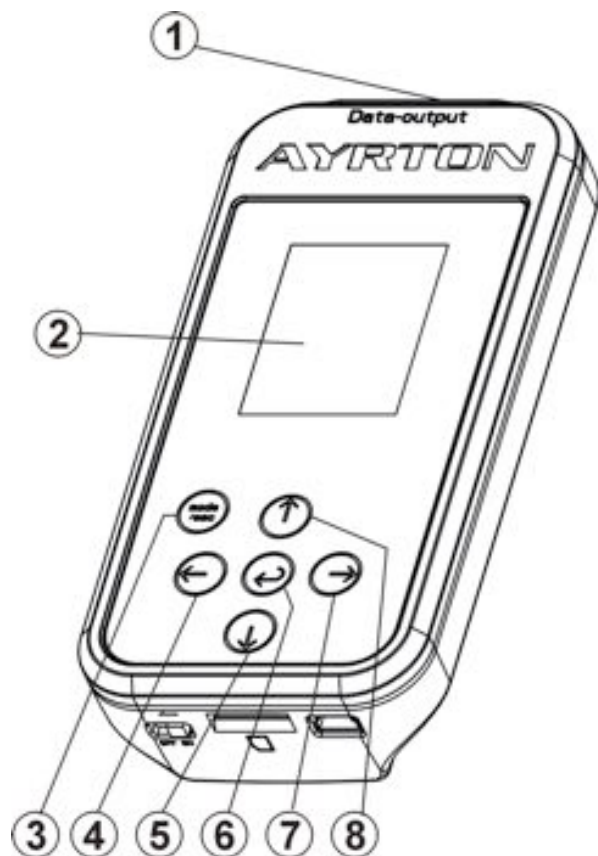
### **CAUTION!**

Unplug mains lead before opening the housing.

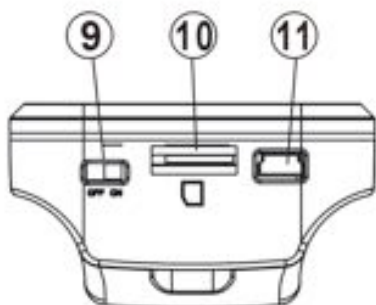
## **Features:**

- Easily software upgrade
- LCD display
- Friendly operation interface
- Suitable for products with software upgrading function

## OVERVIEW



- 1) DMX output socket
- 2) LCD-Display
- 3) MODE/ESC –button
- 4) LEFT-button
- 5) DOWN-button
- 6) ENTER-button
- 7) RIGHT-button
- 8) UP-button
- 9) Power switch
- 10) MICRO SD socket
- 11) Power supply



## SAFETY INSTRUCTIONS



### CAUTION!

Be careful with your operations. With a dangerous voltage you can suffer a dangerous electric shock when touching wires!

This LYNX CONTROL left the factory in perfect condition. In order to maintain this condition and to ensure a safe operation, it is absolutely necessary for the user to follow the safety instructions and warning notes written in this user manual.

The LYNX CONTROL shall only be used with right voltage and frequency.  
Make sure that the available voltage is not higher than stated at the end of this manual.

Make sure the power cord is never crimped or damaged by sharp edges.  
If the external flexible cable or cord of this device is damaged, it shall be exclusively replaced by the manufacturer or his service agent or a similar qualified person in order to avoid a hazard.

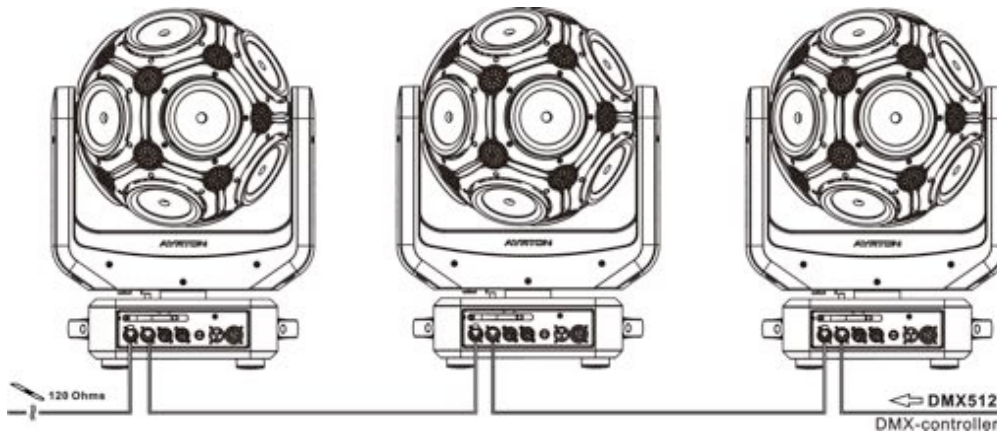
Please be aware that damages caused by manual modifications to the LYNX CONTROL are not subject to warranty. Keep away from children and non-professionals.

## GENERAL GUIDELINES

- Do not use this device until you are familiar with its functions. Do not permit operation by persons not qualified for operating the device. Most damages are the result of unprofessional operation.
- For safety reasons, please be aware that all modifications on the LYNX CONTROL are forbidden.
- If this device is operated in any way different to the one described in this manual, the product may suffer damages and the guarantee becomes void. Furthermore, any other operation may lead to dangers like short-circuit, burns, electric shock, etc.

## DMX-512 control connection

Connect the signal input port of the lighting fixture to the signal output port of the LYNX CONTROL (below fixtures are for reference)









Important : connect the fixture and LYNX CONTROL before start up the box. Switch On the LYNX CONTROL first and then the fixtures.







## USER MANUAL


**Step1:** Insert the MICRO SD card with software release into the MICRO SD port. Connect the signal output cable of the LYNX CONTROL to the signal input port of the lighting; switch On the LYNX CONTROL and select the required folder.

Switch ON the units linked to the LYNX CONTROL; “Long Wait” should be displayed on the units.

**Step2:** Press  to enter the SD card menu, the screen will show “Browser”, “Option” and “SoftInfo”. Select “Browser”.

**Step3:** Press  ,  ,  ,  to select corresponding fixture model and software version., Press  to confirm, Open the folder you have selected. GSD file and TXT file will be displayed on the screen. When you select the GSD file, its function will be displayed on the bottom left of the screen.

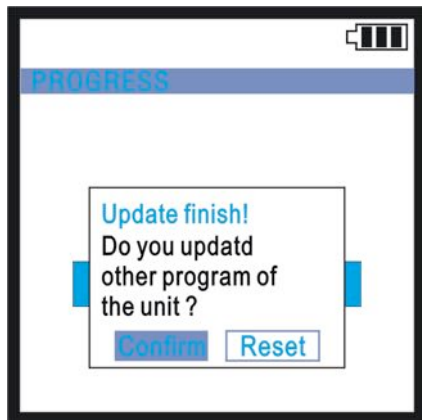
**Step4:** Press  ,  ,  ,  to choose the GSD file you want to upgrade. Press  to confirm. Then enter the password (000000) move the cursor on the “✓”press  to confirm.

If an error has been done when entering the password, move the cursor on the “←”press  to delete, then enter the correct one.



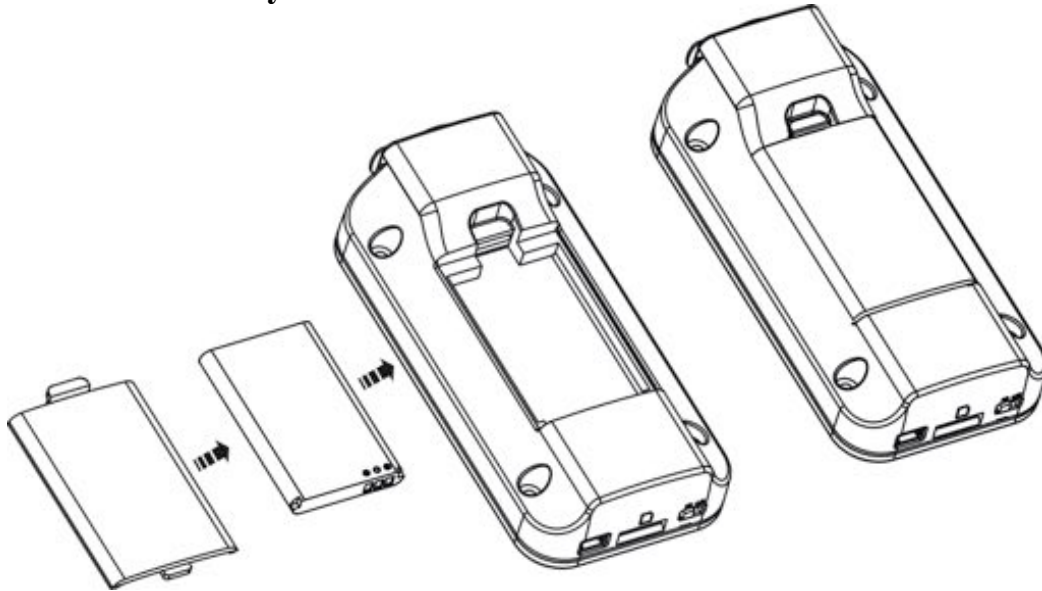
5-1

**Step5:** Once the upgrade done, you will be prompted to continue the upgrade or exit this procedure.



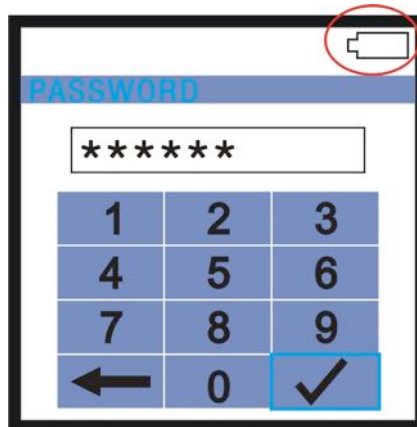
5-2

## Installation of the battery



### Notice:

- 1) Please use the battery provided by the supplier .
- 2) Please charge the battery when low power .



## CLEANING AND MAINTENANCE

The following points have to be considered during the inspection:

- 1) All screws for installing the devices or parts of the device have to be tightly connected and must not be corroded.
- 2) The electric power supply cables must not show any damage.

Further instructions depending on the installation spot and usage have to be adhered by a skilled

installer and any safety problems have to be removed.



### **CAUTION!**

Disconnect from mains before starting maintenance operation.

We recommend a frequent cleaning of the device. Please use a moist, lint-free cloth. Never use alcohol or solvents.

There are no serviceable parts inside the device. Please refer to the instructions under “Installation instructions”.

Should you need any spare parts, please order genuine parts from your local dealer.

### **TECHNICAL SPECIFICATIONS**

Power supply: DC5V

Packing dimensions: 21.5 x 18.5 x 7.5 cm / (2Pcs)

Net weight: 0.128 kg

Gross weight: 0.4 kg